

For Product Step File or 3D Model Send a Request Mail To info@nrack.com

Key Locks



Panel Locks

Photo View



Plane Locks

3Point Locks (Round & Flat)

Handle & Knobs

3D Rendered View



Hinges

Airvents

Gasketing

Canopy Locks

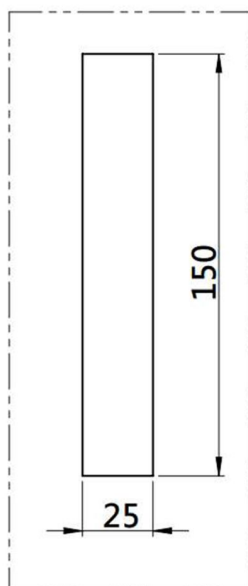
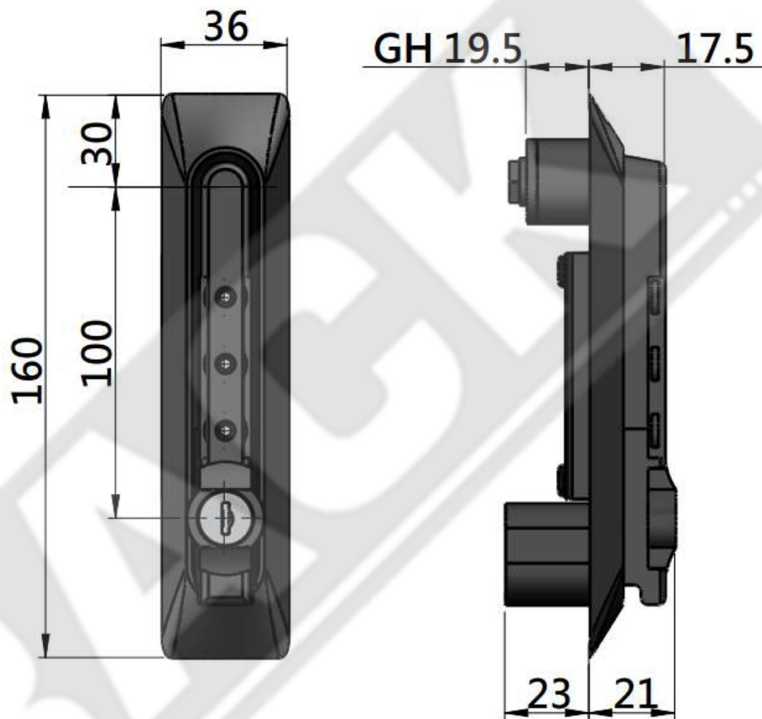
Other Accessories

**MS 837-1-1**

- Material: PA back,housing,Zinc plating cam、 fixing parts
- Finish :Matt black
- Panel thickness:1~5mm
- Remark:cam cutout□8×8

Stainless Steel

**Digital / Numerical Lock**



PANEL CUT OUT